



TRIO ENGINEERED PRODUCTS

QUALITY & VALUE IN MINERAL PROCESSING EQUIPMENT



TRIO TV Series Vertical Shaft Impact Crushers

Flexible crushers designed for easy maintenance and long service life.

TRIO's vertical shaft impact crushers use high-speed rotor or heavy duty open tables. The machines are offered in a variety of closed rotor or open table configurations. All TRIO crushers are convertible between three styles of crushing chamber designs for maximum flexibility.

Configurations options include open shoe table and anvil ring, enclosed rotor and anvil ring, enclosed rotor and rock shelf. This maximizes flexibility and allows the crusher to be configured as needed with the highest performance possible. TRIO's modular design offers maximum application versatility. Comparisons with other brands will show that TRIO crushers are among the most heavy-duty machines available.

Comparison with other brands shows that TRIO crushers are among the most heavy-duty machines available.



**Primary & secondary
hard rock crushing**

**Mixed demolition
debris**

**Crushed or broken
concrete**

Asphalt

River rock

Industrial applications

Key Features of the TV Series Crushers

Convertible crusher design

Single or dual motor mount configuration

Enclosed rotors or open tables

Rock shelf or anvil ring crushing chamber

Cartridge bearing assembly for easy replacement

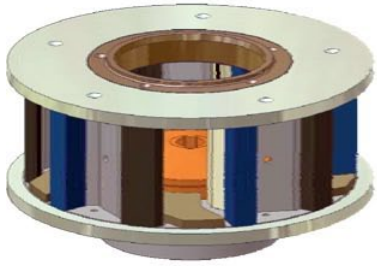
Bearing assembly with oversized high load roller bearings and alloy shaft

Oil lubrication system comprised of tank, pump, temperature switch, flow meter, oil cooler, oil heater and valve assembly

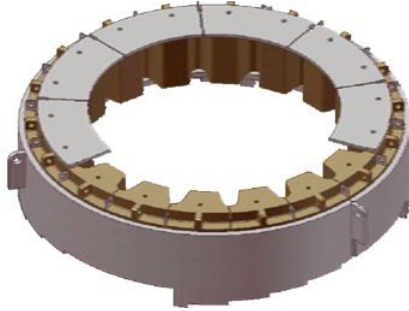
Hydraulic lifting system for the lid assembly

Replaceable crusher liners, vibration switch, inspection door, complete drive guarding, internal air recirculation, external adjustable feed tube

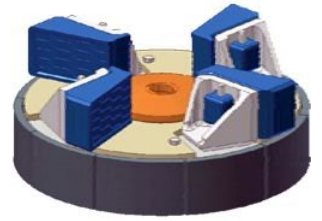
Rotor balancing shaft, lifting plate, eye bolt, hour meter



5 Port Enclosed Rotor



5 Position Anvil Ring



4 Shoe Open Table

TV Series Vertical Impact Crushers						
Models	Operating Speed	Max Power		Feed Size		Capacity
	RPM	HP	kW	In	mm	STPH
TV65 ROR SD	1500-2800	200	160	1.5	40	50-150
TV65 ROS SD	1500-2800	200	160	1.5	40	50-150
TV65 SOS SD	1500-2000	200	160	2	50	75-200
TV85 ROR DD	800-1800	300 (2 x 150)	2 x 110	1.5	40	150-250
TV85 ROR SD	800-1800	300	220	1.5	40	150-250
TV85 ROS DD	800-1800	400 (2 x 200)	2 x 160	1.5	40	100-350
TV85 ROS SD	800-1800	350	250	1.5	40	100-300
TV85 SOS DD	800-1800	500 (2 x 250)	2 x 185	2.95	75	100-400
TV85 SOS SD	800-1800	350	250	2.95	75	100-300
TV95 ROR DD	800-1800	700 (2 x 350)	2 x 260	2.5	63	325-525
TV95 ROR SD	800-1800	400	315	2.5	63	150-250
TV95 ROS DD	800-1800	700 (2 x 350)	2 x 260	2.5	63	320-600
TV95 ROS SD	800-1800	400	315	2.5	63	100-300
TV95 SOS DD	800-1800	800 (2 x 400)	2 x 315	5	125	360-500
TV95 SOS SD	800-1800	400	315	5	125	100-300

Options
V-Belt Drive
Drive Motors
5, 6 or 7 port enclosed rotor
4 or 5 shoe open table
Support stand with walkways and discharge conveyor
Portable Trailer
Electrical Switchgear



TRIO Builds Standard and Customized Solutions for Your Application Needs.

Whether it's feeders, crushers, washers, screens, conveyors, or complete plants, TRIO is known around the world for innovative engineering and unmatched value. Built to withstand the most demanding mine and quarry environments, TRIO helps companies meet their operational requirements on time and on budget.

TRIO sets a standard for responsiveness and flexibility in the industry, building the kind of relationships that the competition just can't match. Contact TRIO today to find out more about our range of durable, productive, highly-efficient and cost-effective aggregate and mining equipment.



TRIO Engineered Products Inc

For regional contacts and more information about TRIO products, visit our web site, call, or email us at info@trioproducts.com.

VISIT WWW.TRIOPRODUCTS.COM FOR MORE INFORMATION

US +1 626 851 3966

EU +353 (0)57 8661333

China +86 21 39979708