



## TRIO ENGINEERED PRODUCTS

QUALITY & VALUE IN MINERAL PROCESSING EQUIPMENT



### TRIO Jaw Crushers

## Rugged Primary and Secondary Jaw Crushers

TRIO offers a wide range of sizes of primary and secondary jaw crushers. They incorporate steeply aligned toggle seats for efficient nip angles and high production rates. The primary models offer hydraulically adjusted wedges for quick and easy adjustments to closed side settings.

All sizes incorporate a fixed jaw die configuration with a wrap-around design that protects the crusher frame. Easy-to-maintain cheek plate bolt system. Crushers are driven by extra large, overhead eccentric shafts seated in closely-spaced spherical, self-aligning roller bearings. Comparisons with other brands will show that TRIO crushers are among the most heavy-duty machines available. Important features to consider are: bearing size, shaft size, machine weight.

Comparison with other brands shows that TRIO crushers are among the most heavy-duty machines available.



**Primary & secondary  
hard rock crushing**

**Mixed demolition  
debris**

**Crushed or broken  
concrete**

**Asphalt**

**River rock**

**Industrial applications**

## Key Features

Pitched fixed jaw dies and steeply aligned toggle seats

Highly-effective geometry

Fixed jaw dies with wrap-around design protects the frame and eliminates the need for additional wedges

Hydraulically adjusted wedges for quick adjustments to the closed setting when new products are needed or as the jaw dies wear

Side tensioning wedges to keep dies in correct operating position

Advanced cheek plate bolt system for easy maintenance

Extra large, drop-forged, heat-treated overhead eccentric shafts

Spherical, self aligning roller bearings

Fabricated, stress relieved steel frame

Machined jaw plates and seating surfaces

Reversible jaw plates

Manual shim or hydraulic wedge closed side setting

One-year warranty

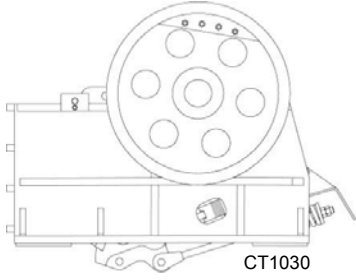
Continuing service commitment

Global distribution

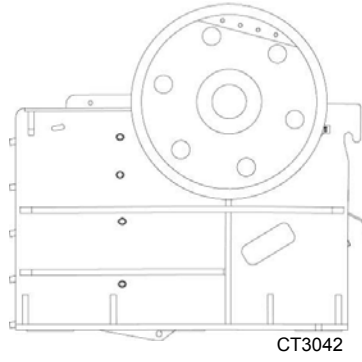
Rapid delivery

Off-the-shelf parts

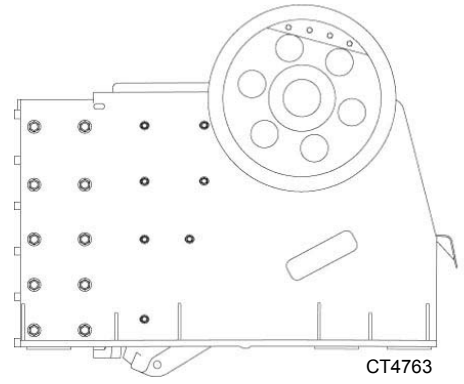
Superior quality



CT1030



CT3042



CT4763

MODELS	FEED OPENING SIZE		WEIGHT		CSS		POWER		SPEED	CAPACITY	
	INCH	MM	LBS	KG	IN	MM	HP	KW	RPM	STPH	MTPH
CT1030	10"x30"	280x750	13230	6000	1" - 3 1/2"	25-90	40	30	300	23-61	21-55
CT1040	10"x40"	280x1000	15150	6872	1" - 3 1/2"	25-90	50	37	300	30-79	27-72
CT1048	10"x48"	280x1200	18500	8391	1" - 3 1/2"	25-90	75	55	300	35-95	32-86
CT1252	12"x52"	340x1300	23815	10800	1" - 3 1/2"	25-90	100~75	75~55	300	55-149	50-135
CT2036	20"x36"	500x900	25800	11700	2" - 5"	50-125	75	55	250	88-242	80-220
CT2436	24"x36"	650x900	32635	14800	3" - 7"	75-200	100	75	250	132-385	120-350
CT3042	30"x42"	750x1060	54905	24900	3" - 8"	75-200	150	110	250	165-555	150-500
NCT3042	30"x42"	750x1060	44800	20321	3" - 8"	75-200	150	110	250	165-555	150-500
CT3254	32"x54"	800x1370	65710	29800	3" - 8"	75-200	200	132	250	265-860	240-780
CT3254B	32"x54"	800x1370	63790	28930	3" - 8"	75-200	200	132	250	265-860	240-780
CT3648	36"x48"	910x1200	97150	44066	4" - 10"	100-250	250	160	225	330-940	300-850
CT4254	42"x54"	1060x1370	126524	57390	5" - 11"	100-275	300	200	220	440-1220	400-1100
CT4763	47"x63"	1250x1600	176740	80167	6" - 12"	150-300	350	250	200	578-1390	520-1250
CT6080	60"x80"	1510x2000	325600	148000	6" - 12"	150-310	550	400	200	825-1777	750-1600



# TRIO Jaw Crushers

Open Circuit Maximum Capabilities (TPH)															
MODELS	1" 25MM	1 1/2" 38MM	2" 50MM	2 1/2" 63MM	3" 75MM	3 1/2" 90MM	4" 100MM	5" 125MM	6" 150MM	7" 175MM	8" 200MM	9" 225MM	10" 250MM	11" 275MM	12" 300MM
CT1030	23	28	34	42	50	60									
CT1040	30	37	45	56	66	79									
CT1048	35	44	55	68	80	95									
CT1252	50	63	77	90	105	130									
CT2036		+	80-90	95-110	120-140	140-170	160-190	190-220							
CT2436			+	120-150	140-170	160-190	180-210	210-250	250-300	320-400					
CT3042			+	+	150-200	180-230	200-260	230-340	300-400	350-460					
CT3042N					160-220	190-240	220-280	240-350	320-420	380-500					
CT2650				150-190	160-210	190-240	230-290	300-350	350-400	400-500					
CT3254			150-250	200-300	240-340	270-370	300-400	350-450	400-500	470-570					
CT3254B			150-250	200-300	240-340	270-370	300-400	350-450	400-500	470-570					
CT3648			+	+	+	+	260-330	310-400	370-470	430-540	490-610	550-700			
CT4254							+	380-500	450-580	520-650	575-730	630-810	700-900		
CT4763							+	+	500-650	590-750	650-840	740-930	800-1010	880-1100	950-1180
Product Gradations – Percent Passing															
Closed Side Settings															
Inch	1"	1 1/2"	2"	2 1/2"	3"	3 1/2"	4"	5"	6"	7"	8"	9"	10"	11"	12"
Millimeter	25	38	50	63	75	90	100	125	150	175	200	230	255	280	305
15"(380)															100
14"(356)														100	90
13"(330)													100	90	85
12"(305)												100	90	85	75
11"(280)											100	90	85	75	70
10"(250)										100	90	83	75	70	65
9"(225)									100	90	83	75	70	65	60
8"(200)								100	90	83	75	70	65	60	55
7"(175)							100	90	83	75	70	63	60	55	45
6"(150)						100	95	83	75	68	63	58	55	45	40
5"(125)				100	90	85	75	68	60	58	48	45	40	35	35
4"(100)				100	90	83	75	65	60	55	48	45	40	35	25
3 1/2"(90)				95	83	75	70	60	55	50	45	40	35	25	22
3"(75)			100	83	75	70	65	55	50	45	35	30	25	22	20
2 1/2"(75)		100	90	75	68	60	55	50	42	35	30	25	22	20	17
2"(50)		90	75	65	58	55	50	40	35	30	25	22	20	17	12
1 3/4"(45)		85	70	60	55	50	45	35	30	25	22	20	17	12	10
1 1/2"(38)	100	75	65	55	50	45	40	30	25	22	20	17	12	10	8
1 1/4"(32)	95	70	55	50	40	35	30	25	22	20	17	15	10	8	6
1"(25)	75	65	45	43	35	30	25	20	17	15	12	10	8	6	4
3/4"(19)	70	55	40	30	25	22	20	17	15	12	10	7	5	4	1
5/8"(13)	60	45	35	25	20	17	15	13	10	7	5	3	2	1	0
3/8"(10)	45	30	25	20	15	13	10	7	5	3	2	1	1	0	0
1/4"(6)	30	20	15	10	7	5	4	3	1	0	0	0	0	0	0

## TRIO Builds Standard and Customized Solutions for Your Application Needs.

Whether it's feeders, crushers, washers, screens, conveyors, or complete plants, TRIO is known around the world for innovative engineering and unmatched value. Built to withstand the most demanding mine and quarry environments, TRIO helps companies meet their operational requirements on time and on budget.

TRIO sets a standard for responsiveness and flexibility in the industry, building the kind of relationships that the competition just can't match. Contact TRIO today to find out more about our range of durable, productive, highly-efficient and cost-effective aggregate and mining equipment.



**TRIO Engineered Products Inc**

For regional contacts and more information about TRIO products, visit our web site, call, or email us at [info@trioproducts.com](mailto:info@trioproducts.com).

**VISIT [WWW.TRIOPRODUCTS.COM](http://WWW.TRIOPRODUCTS.COM) FOR MORE INFORMATION**

**US +1 626 851 3966**

**EU +353 (0)57 8661333**

**China +86 21 39979708**