

# INCLINED SCREENS

All TRIO inclined screens are manufactured with huck bolted frames. These rugged yet versatile units are well suited for use in a variety of aggregate, mineral, and industrial applications.



TRIO T108243



TRIO T106203

The screens are available in both oil (T10 and T10SP Series) and grease (T1H Series) lubrication configurations depending on customer preferences. Sizes range from 4' x 10' to 8' x 24' and are available in single, two, three and four deck arrangements.

TRIO T10SP514

# TRIO TIH, TIO & TIOSP SERIES INCLINED SCREENS



TRIO TI08203



TRIO TI08243

## Key Features

All TRIO Inclined Screens Feature:

Modern huck-bolted frames

Vibrating mechanism includes heavy duty eccentric shafts rotating within large, oversize bearings

Eccentric shafts with a variable weight counterweight system creating circular throw action

Two bearing or four bearing, circular throw screens

Crowned or flat decks

Crown bars with rubber liners and lined vibrator tubes

Pivoting motor bases

Spray bar punch outs

Cross bracing (7' and 8' models)



TRIO TI06203

## Applications

Rock crushing

Sand and gravel

Recycling

Wet screening

Mineral processing

Chemical production

## Models

TIH410-2	TI0514-3	TIOSP410-1
TIH410-3	TI0616-2	TIOSP410-2
TIH514-2	TI0616-3	TIOSP514-1
TIH514-3	TI0620-2	TIOSP514-2
TIH516-2	TI0620-3	TIOSP616-2
TIH516-3	TI0720-3	
TIH616-2	TI0724-3	
TIH616-3	TI0820-2	
TIH620-2	TI0820-3	
TIH620-3	TI0820-4	
	TI0824-3	

## Benefits

One-year warranty

Continuing service commitment

Global distribution

Rapid delivery

Off-the-shelf parts

Superior quality

Advanced materials & processes

Improved service life of critical components

Lower maintenance & operating costs

Trio Engineered Products Inc

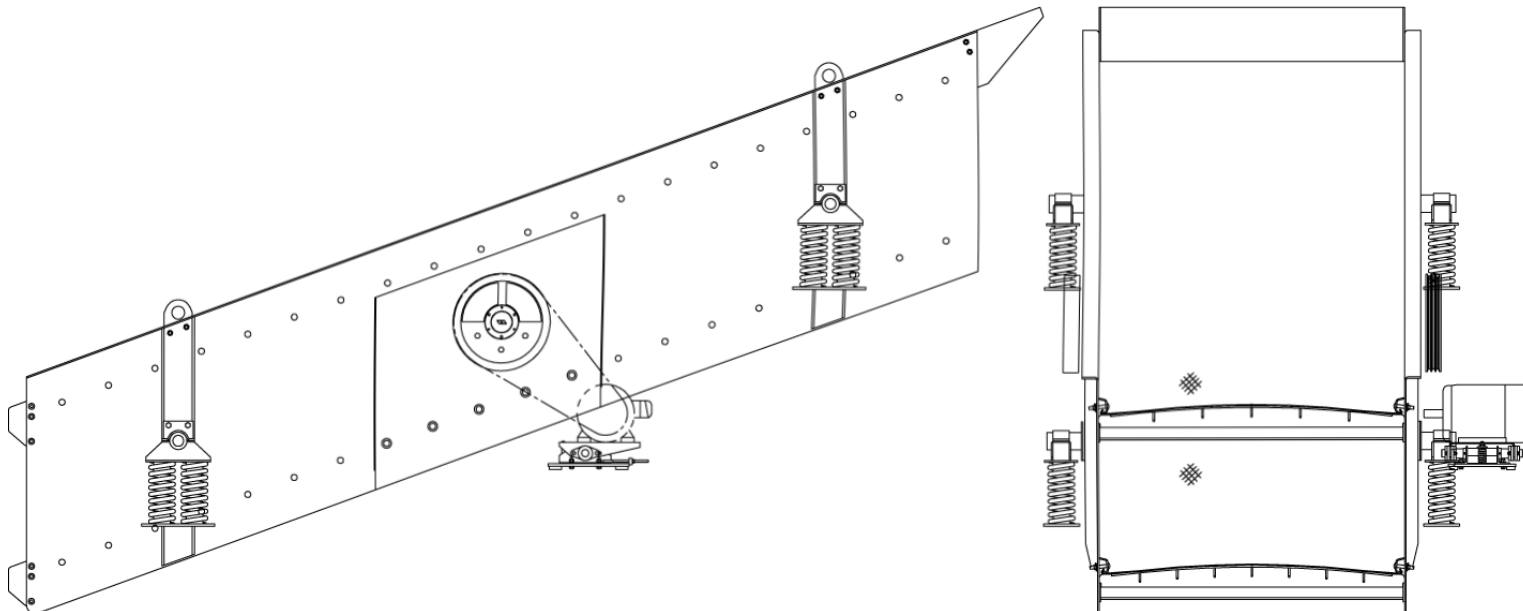
USA +1 626 851 3966 EU +353 (0)57 8661333 info@trioproducts.com trioproducts.com

Offices in : United States, Ireland, China, Dubai, Ecuador and Thailand

# TRIO TIH (GREASE LUBE) INCLINED SCREENS

TIH Inclined Screens														
Model	Size WxLt		Machine Weight		Power		Side Plates		Bearing Size	Maximum Material Size		Oper. Speed	Amplitude	
	Ft	mm	LBS	KG	HP	Kw	Inch	MM	MM	Inch	MM	RPM	Inch	MM
TIH410-2	4' x 10'	1200x3048	6480	2945	10	7.5	1/4"	6	2 x 100	8"	200	860	9/32"	7
TIH410-3	4' x 10'	1200x3048	6170	2802	10	7.5	1/4"	6	2 x 100	8"	200	860	9/32"	7
TIH514-2	5' x 14'	1525x4628	9460	4300	15	11	3/8"	8	2 x 130	8"	200	860	9/32"	8.5
TIH514-3	5' x 14'	1525x4628	11320	5142	15	11	3/8"	8	2 x 130	8"	200	860	9/32"	8.5
TIH516-2	5' x 16'	1525x4878	9620	4372	15	11	3/8"	8	2 x 130	8"	200	860	5/16"	8.5
TIH516-3	5' x 16'	1525x4878	12460	5661	15	11	3/8"	8	2 x 130	8"	200	860	5/16"	8.5
TIH616-2	6' x 16'	1830x4878	10610	4821	20	15	3/8"	10	2 x 140	8"	200	860	5/16"	8.5
TIH616-3	6' x 16'	1830x4878	14060	6388	20	15	3/8"	10	2 x 140	8"	200	860	5/16"	8.5
TIH620-2	6' x 20'	1800x6096	12000	5454	25	18.5	3/8"	10	2 x 140	8"	200	860	5/16"	8.5
TIH620-3	6' x 20'	1800x6096	15780	7171	25	18.5	3/8"	10	2 x 140	8"	200	860	5/16"	8.5

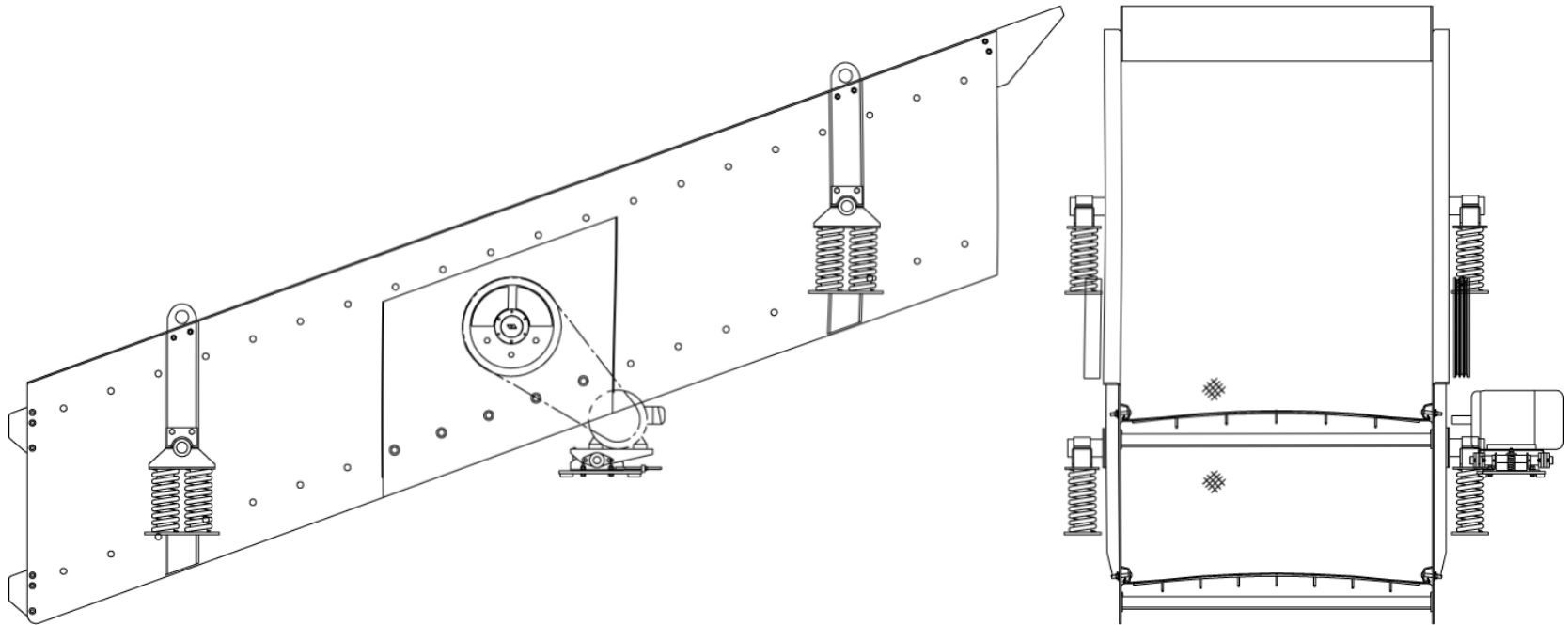
Data for marketing purposes only. Please contact TRIO for product information.



# TRIO T10 (OIL LUBE / SINGLE SHAFT) INCLINED SCREENS

T10 Single Shaft Inclined Screens														
Model	Size WxL		Approximate Weight		Power		Side Plates		Bearing Size	Maximum Material Size		Oper. Speed	Amplitude	
	Ft	mm	LBS	KG	HP	Kw	Inch	MM	MM	Inch	MM	RPM	Inch	MM
TI0514-3	5' x 14'	1525x4260	11660	5297	15	11	3/8"	8	2 x 130	8"	200	860	5/16"	8.5
TI0616-2	6' x 16'	1800x4878	10910	4956	20	15	3/8"	10	2 x 140	8"	200	860	5/16"	8.5
TI0616-3	6' x 16'	1800x4878	13770	6259	20	15	3/8"	10	2 x 140	8"	200	860	5/16"	8.5
TI0620-2	6' x 20'	1800x6069	12070	5483	25	18.5	3/8"	10	2 x 140	8"	200	860	5/16"	8.5
TI0620-3	6' x 20'	1800x6069	15960	7253	25	18.5	3/8"	10	2 x 140	8"	200	860	5/16"	8.5
TI0720-2	7' x 20'	2135x6096	19640	8926	30	22	3/8"	10	2 x 160	8"	200	860	5/16"	9.6

Data for marketing purposes only. Please contact TRIO for product information.

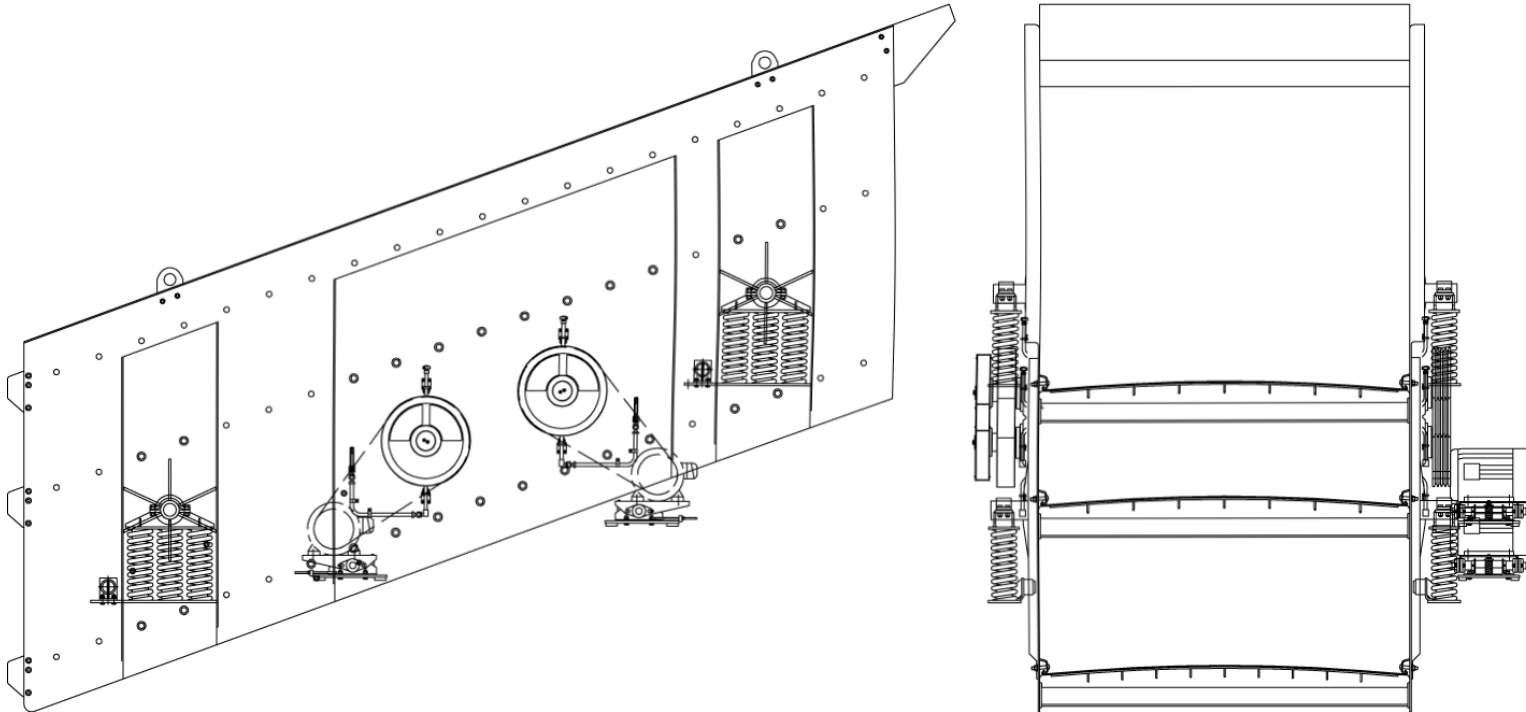


# TRIO T10 (OIL LUBE / TWIN SHAFT) INCLINED SCREENS

T10 Twin Shaft Inclined Screens

Model	Size WxL		Approximate Weight		Power		Side Plates		Bearing Size	Maximum Material Size		Oper. Speed	Amplitude	
	Ft	mm	LBS	KG	HP	KW	Inch	MM	MM	Inch	MM	RPM	Inch	MM
TI0720-3	7' x 20'	2135x6096	27960	12705	2x25	2x18.5	3/8"	10	4 x 140	8"	200	860	3/8"	9.5
TI0724-3	7' x 24'	2135x7315	29650	13474	2x25	2x18.5	3/8"	10	4 x 140	8"	200	860	5/16"	8.7
TI0820-2	8' x 20'	2440x6096	22750	10339	2x25	2x18.5	3/8"	10	4 x 140	8"	200	860	5/16"	9
TI0820-3	8' x 20'	2440x6096	30090	13674	2x30	2x22	3/8"	10	4 x 140	8"	200	860	3/8"	9.5
TI0820-4	8' x 20'	2440x6096	36670	16668	2x40	2x30	1/2"	12	4 x 140	8"	200	860	1/2"	12
TI0824-3	8' x 24'	2440x7315	39230	17828	2x40	2x30	1/2"	12	4 x 160	8"	200	860	1/2"	12

Data for marketing purposes only. Please contact TRIO for product information.



# TRIO TIOSP SCALPING (OIL LUBE) INCLINED SCREENS

TIOSP Inclined Screens														
Model	Size WxL		Weight		Max. Feed Size		Power		Oper. Speed	Bearing Size	Side Plates		Amplitude	
	Ft	mm	LBS	KG	In	MM	HP	Kw	RPM	MM	In	MM	In	MM
TIOSP410-1	4' x 10'	1200x2900	9020	4100	16"	400	20	15	860	2 x 140	3/8"	10	3/8"	10
TIOSP410-2	4' x 10'	1200x2900	10230	4650	16"	400	20	15	860	2 x 140	3/8"	10	3/8"	10
TIOSP514-1	5' x 14'	1545x4268	12600	5725	16"	400	20	15	860	2 x 140	3/8"	10	3/8"	10
TIOSP514-2	5' x 14'	1545x4268	15930	7241	16"	400	20	15	860	2 x 140	3/8"	10	3/8"	10
TIOSP616-2	6' x 16'	1830x4878	17930	8150	16"	400	40	30	860	2 x 160	1/2"	12	3/8"	10

Data for marketing purposes only. Please contact TRIO for product information.

